

MC-5157-AC/DC

x86 Bridge computers with Intel® Core™ i5 520E, 4 serial ports, 2 Gigabit Ethernet ports, 6 USB hosts, 8 NMEA ports, 2 universal PCI slots, storage, VGA/DVI



- > High performance Intel® Core™ i5 520E processor, 3 MB L2 cache
- > Built-in 2 GB DDR3 memory, supports up to 8 GB
- > Dual independent displays (DVI-I + VGA)
- > 2 Gigabit Ethernet ports for network redundancy
- > 2 RS-232/422/485 serial ports
- > 2 RS-232 ports
- > 8 NMEA ports
- > 2 universal PCI slots
- > 6 USB 2.0 hosts
- > 1 internal SATA storage drive slot
- > 1 removable SATA storage drive tray
- > 1G anti-vibration design for system reliability
- > Compact, fanless design
- > 24 VDC or 100 to 240 VAC power input models available
- > Supports Windows XP Embedded, XP Professional, Windows 7



Overview

The MC-5157-AC/DC computers feature the Intel® Core™ i5 520E processor and come with 4 serial ports, 2 Gigabit Ethernet ports, 6 USB hosts, and 8 NMEA ports. The computers offer high performance and versatile peripherals for marine applications.

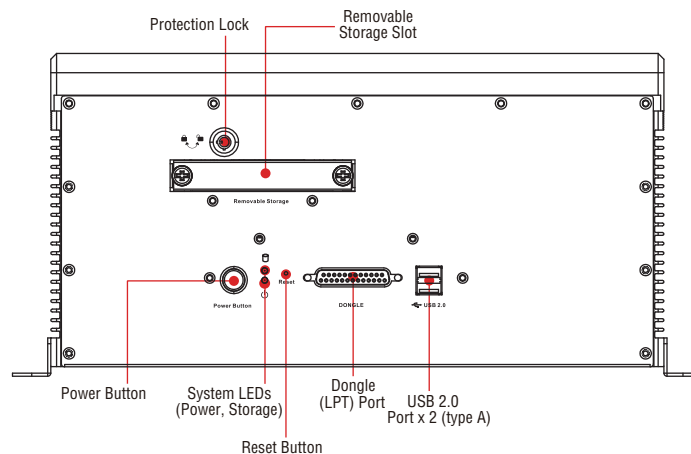
Designed with the highest quality and durability in mind, the marine-grade MC-5157-AC/DC computers feature a rugged chassis and are proven against 1G anti-vibration, together providing a most reliable platform even in harsh environments and conditions. In addition, the

compact size, fanless design, and low power consumption deliver an optimal thermal solution and make installation easy for bridge systems in marine applications. Another plus are the 2 universal PCI slots that allow users to install various adaptors, such as radar cards and Profitbus cards, fully satisfying marine needs.

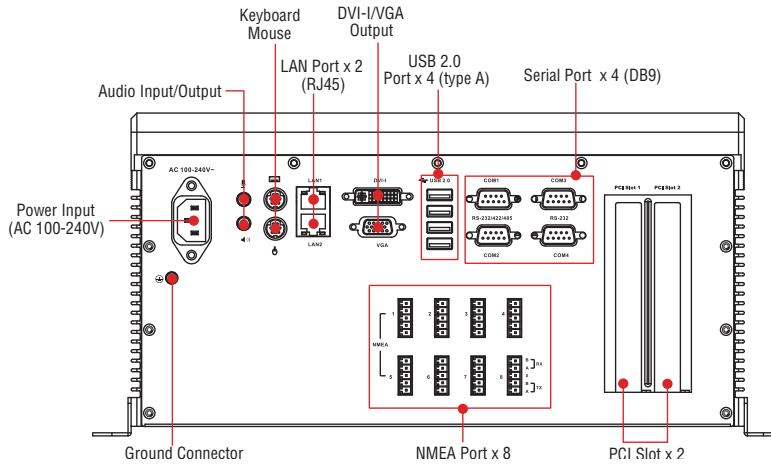
Users can easily install Windows XP Embedded, XP Professional, or Windows 7 to provide a flexible and friendly environment for system development and application implementation.

Appearance

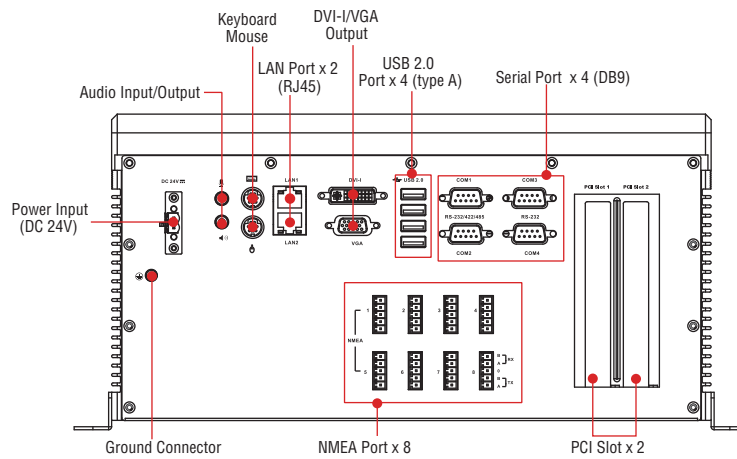
AC/DC Model Front View



AC Model Rear View



DC Model Rear View



Hardware Specifications

Computer

CPU: Intel® Core™ i5 520E (BGA CPU package), 2.4 GHz processor
OS: Windows 7, Windows XP SP3, Windows XP Embedded (must be installed by the user)
System Chipset: Intel® QM57 Express Chipset
DRAM: 2 GB DDR3 SDRAM onboard, supports up to 8 GB
USB: USB 2.0 hosts x 6, Type A connectors

Storage

Storage Support:

- 1 internal SATA storage tray
- 1 removable SATA storage drive tray

Other Peripherals

KB/MS: 2 PS/2 interfaces supporting standard PS/2 keyboard and mouse

Audio: line-in/out interface

PCI Slots: 2

Display

Graphics Controller: Onboard Intel® HD graphics

Display Interface:

- VGA Interface: 15-pin D-Sub connector (female), with resolution up to 1920 x 1080
- DVI-I Interface: 29-pin DVI-I connector (female), with resolution up to 1600 x 1200, 60Hz (with reduced blanking)

Ethernet Interface

LAN: 2 auto-sensing 10/100/1000 Mbps ports (RJ45)

Magnetic Isolation Protection: 1.5 KV built in

Serial Interface

Serial Standards:

- 2 RS-232/422/485 ports, software-selectable (DB9 male)
- 2 RS-232 ports (DB9)
- 8 NMEA ports (Phoenix 3.81 mm compatible connector)

Serial Communication Parameters

Data Bits: 5, 6, 7, 8

Stop Bits: 1, 1.5, 2

Parity: None, Even, Odd, Space, Mark

Flow Control: RTS/CTS, XON/XOFF, ADDC® (automatic data direction control) for RS-485

Baudrate: 50 bps to 230.4 Kbps

Serial Signals

RS-232: TxD, RxD, DTR, DSR, RTS, CTS, DCD, GND

RS-422: TxD+, TxD-, RxD+, RxD-, GND

RS-485-4w: TxD+, TxD-, RxD+, RxD-, GND

RS-485-2w: Data+, Data-, GND

LEDs

System: Storage, Power

LAN: 100M/Link x 2, 1000M/Link x 2 (on connector)

Physical Characteristics

Housing: Aluminum, sheet metal

Weight: 8 kg

Dimensions: 320 x 300 x 171 mm (12.60 x 11.81 x 6.73 in)

Mounting: Wall

Environmental Limits

Operating Temperature: -15 to 55°C (5 to 131°F)

Storage Temperature: -20 to 60°C (-4 to 131°F)

Ambient Relative Humidity: 5 to 95% (non-condensing)

Anti-vibration:

- 0.7 g @ DNV 2.4 (Class A), sine wave, 2-100 Hz, 1 Oct./min., 1.5 hr per axis
- 1 grms @ DNV 2.4, random wave, 3-100 Hz, 2.5 hr per axis
- 2.1 g @ DNV 2.4 (Class C), sine wave, 2-50 Hz, 1 Oct./min., 1.5 hr per axis

Power Requirements

Input Voltage:

- DC Model: 24 VDC (with tolerance from 18 to 30 VDC, 2-pin terminal block)
- AC Model: 100 to 240 VAC

Power Consumption: Less than 100 W, 2.5 A @ 24 VDC

Standards and Certifications

Safety: UL 60950-1, DNV 2.4 (Pending), IEC 60945 (4th) (Pending), IACS-E10 (Pending), CCC (GB4943, GB9254, GB17625.1)

EMC: EN 55022 Class B, EN 55024-4-2, EN 55024-4-3, EN 55024-4-4, FCC Part 15 Subpart B Class B

Marine: IEC 60945 4th. (Pending), IACS-E10 (Pending)

Green Product: RoHS, cRoHS, WEEE

Reliability

MTBF (mean time between failures): 145,302 hrs

Warranty

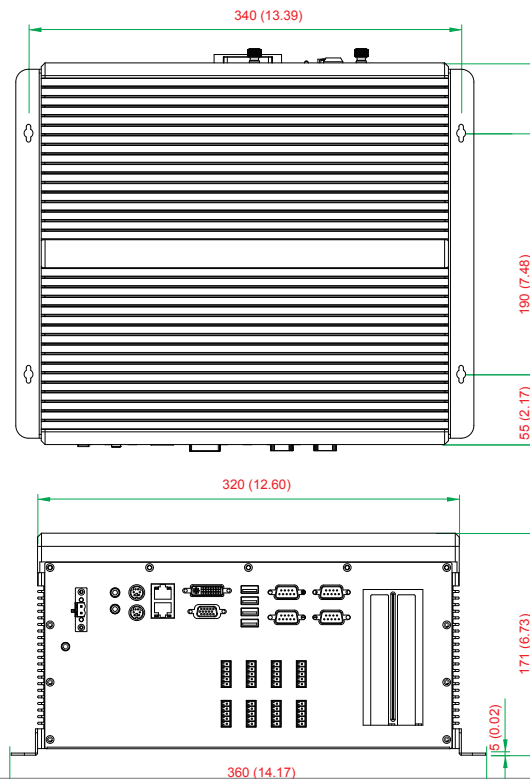
Warranty Period: 3 years

Details: See www.moxa.com/warranty

Unit: mm (inch)

Dimensions

Warranty card



Ordering Information

Available Models

MC-5157-AC: x86-based bridge computer with Intel® Core™ i5 CPU processor, 4 serial ports, 8 NMEA ports, 2 Gigabit Ethernet ports, 6 USB hosts, 2 universal PCI slots, storage, VGA/DVI, and AC power input

MC-5157-DC: x86-based bridge computer with Intel® Core™ i5 CPU processor, 4 serial ports, 8 NMEA ports, 2 Gigabit Ethernet ports, 6 USB hosts, 2 universal PCI slots, storage, VGA/DVI, and DC power input

Optional Accessories (for AC model only, can be purchased separately)

PWC-C13US-3B-183: Power cord with 3-pin connector, USA plug

PWC-C13EU-3B-183: Power cord with 3-pin connector, Euro plug

PWC-C13UK-3B-183: Power cord with 3-pin connector, British plug

PWC-C13AU-3B-183: Power cord with 3-pin connector, Australia plug

PWC-C13CN-3B-183: Power cord with 3-pin connector, China plug

Package Checklist

- 1 MC-5157-AC/DC computer
- 2 removable storage protection keys
- 8 screws for internal and removable drive trays
- Terminal block for power input (DC model only)
- 8 terminal blocks for NMEA ports
- Documentation and driver CD
- Quick installation guide (printed)